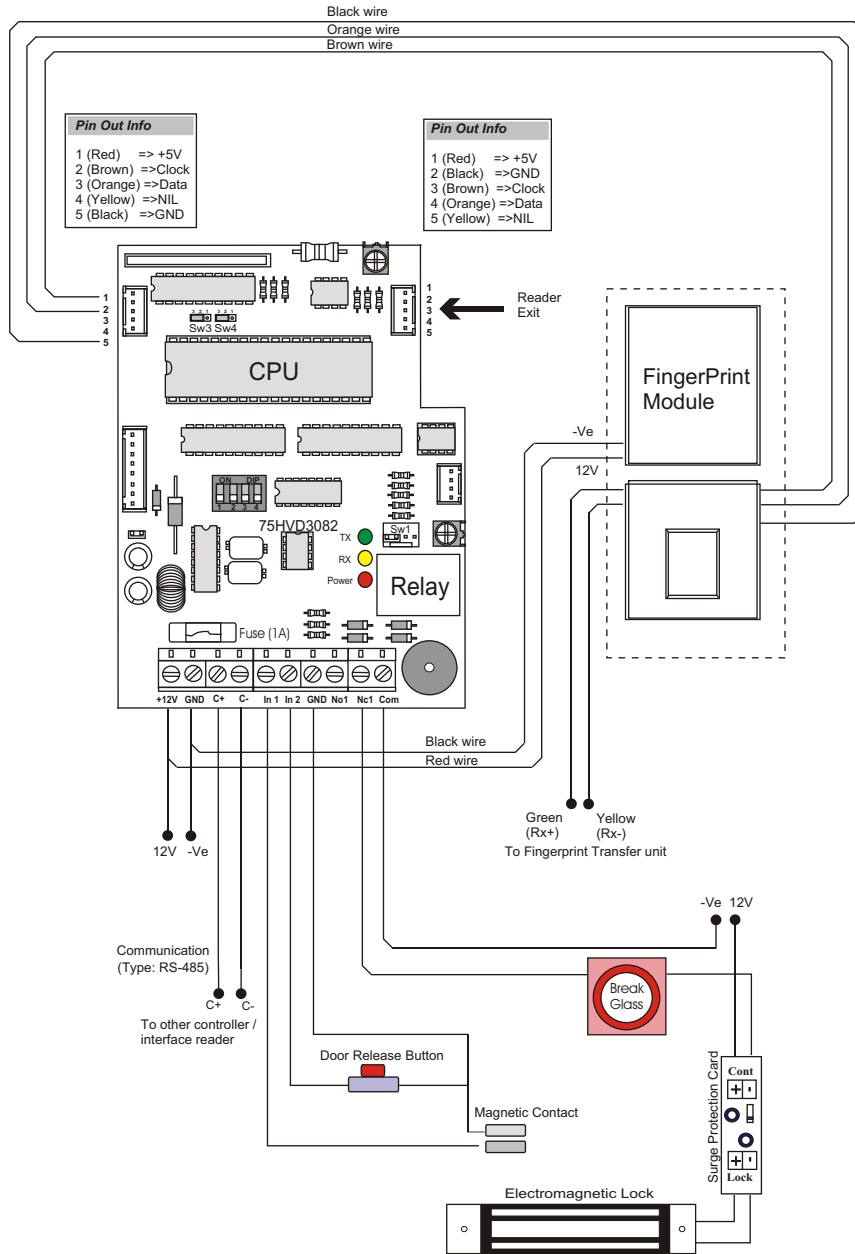
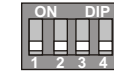


Scan-X Reader Interface Configuration



Reader DIP Setting



Switch 1 & 2 = Address
 Switch 3 = In or Out Reader
 Switch 4 = Active or Passive Reader
 'ON' = Active
 'OFF' = Passive

*Reader that connected to lock, should be set to 'Active'.

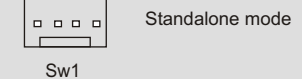
READER DIP SWITCH SETTING				
DOWNLINK 1				
DOOR / DIP SWITCH	1	2	3	4
DOOR 1 (IN Reader)	OFF	OFF	OFF	ON
DOOR 2 (IN Reader)	ON	OFF	OFF	ON
DOOR 3 (IN Reader)	OFF	ON	OFF	ON
DOOR 4 (IN Reader)	ON	ON	OFF	ON
DOOR 1 (OUT Reader)	OFF	OFF	ON	ON
DOOR 2 (OUT Reader)	ON	OFF	ON	ON
DOOR 3 (OUT Reader)	OFF	ON	ON	ON
DOOR 4 (OUT Reader)	ON	ON	ON	ON

Reading format switching



Remarks:
 - Sw3 refer to IN Reader configuration
 - Sw4 refer to OUT Reader configuration

Network/ Standalone switching



Remarks:

- All communication cable must be compliance to RS485 standard, with proper grounding & connected in multidrop connection.
- If input point 'IN1' not in use, connect 'IN1' to 'GND'

*All specification subject to change without prior notice.

File	Scan_X RDR INTv1.2
Date	200803
Company	Cass Technology Sdn Bhd