

ScanX Controller Configuration

LED 8 and LED 9

Indicating the communication status between PCI and Controller.

LED 12 and LED 13 (Door 1 - Door 4)

Indicating the communication status between reader interface and controller.

LED 14 and LED 15 (Door 5 - Door 8)

Indicating the communication status between reader interface and controller.

LED 4 and LED 5 (Door 9 - Door 12)

Indicating the communication status between reader interface and controller.

LED 6 and LED 7 (Door 13 - Door 16)

Indicating the communication status between reader interface and controller.

(For normal operating condition- all LEDs will blinking)

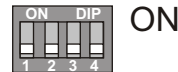
CONTROLLER DIP SWITCH SETTING											
CTRL / DIP SWITCH	1	2	3	4	ADD	CTRL / DIP SWITCH	1	2	3	4	ADD
CONTROLLER 1	OFF	OFF	OFF	OFF	00	CONTROLLER 9	OFF	OFF	OFF	ON	08
CONTROLLER 2	ON	OFF	OFF	OFF	01	CONTROLLER 10	ON	OFF	OFF	ON	09
CONTROLLER 3	OFF	ON	OFF	OFF	02	CONTROLLER 11	OFF	ON	OFF	ON	10
CONTROLLER 4	ON	ON	OFF	OFF	03	CONTROLLER 12	ON	ON	OFF	ON	11
CONTROLLER 5	OFF	OFF	ON	OFF	04	CONTROLLER 13	OFF	OFF	ON	ON	12
CONTROLLER 6	ON	OFF	ON	OFF	05	CONTROLLER 14	ON	OFF	ON	ON	13
CONTROLLER 7	OFF	ON	ON	OFF	06	CONTROLLER 15	OFF	ON	ON	ON	14
CONTROLLER 8	ON	ON	ON	OFF	07	CONTROLLER 16	ON	ON	ON	ON	15

Figure 1 : Controller DIP switch setting

CONTROLLER OUTPUT & INPUT						
CTRL / Relay	OUTPUT 1	OUTPUT 2	IN 1	IN 2	IN 3	IN 4
S-Series 12s & 16s	General Purpose	Auxiliary	-	-	-	Fire Alarm
S-Series 2s, 4s & 8s	General Purpose	Alarm	Alarm	Alarm	Alarm	Alarm
K-Series 2s, 4s & 8s	-	Auxiliary	-	-	-	Fire Alarm

Figure 2: Output & Input

Controller DIP Setting



To +12Vdc source
To 0Vdc source (Gnd)
To +12Vdc source

To PCI Uplink

Door 1 - Door 4 Downlink 1

Door 5 - Door 8 Downlink 2

Door 9 - Door 12 Downlink 3

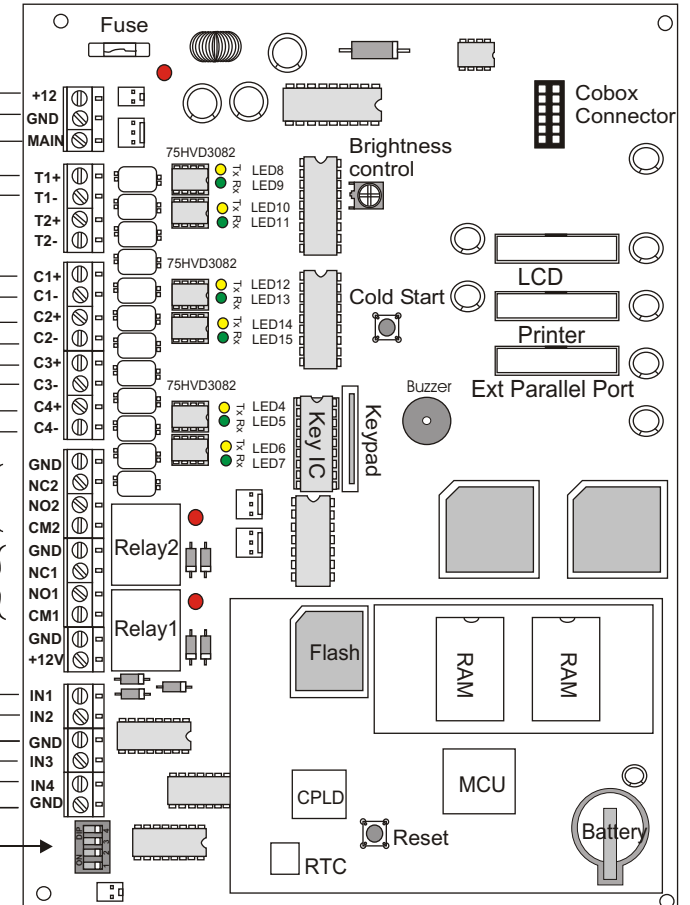
Door 13 - Door 16 Downlink 4

Output 2

Output 1

Input

Controller DIP



Remarks:

- After installation, please perform 'Cold Start' procedure. Please refer to controller manual for proper Cold Start procedure.
- For single controller, DIP switch need to be set to address '00'.
- For multiple controller, please refer to figure 1 for address setting.
- Controller address should not be set the same to avoid data corruption.
- All input point must be ground with a 3.6K ohm resistor.
- All communication cable must be compliance RS485 standard, with proper grounding & connected in multidrop connection.

File	ScanX CTRL v1.
Date	200803
Company	Cass Technology Sdn Bhd